

BBF2005 WITH BPRFx SPECIFICATIONS

PAPER HANDLING CAPABILITY

STOCK WEIGHTS

MAX 160 gsm or 43 lb –
Without folding in BPRFx
80 gsm or 20 lb – with folding in
BPRFx
MIN 60 gsm or 16 lb

PAPER SIZES

MAX 356 mm x 305 mm
14" x 12"

MIN 210 mm x 178 mm
or 8 1/4" x 7"

Leading edge, other dimension

BOOK SIZE

(before trimming)

MAX 356 mm x 305 mm
or 14" x 12"

MIN 210 mm x 140 mm
or 8 1/4" x 5 1/2"

Bound edge, other dimension

BOOK THICKNESS

Max 350 sheets (80 gsm or 20 lb)
± 40 mm (1 1/2 ")
Without perforation
+ rotation + folding in BPRFx
250 sheets (80 gsm or 20 lb)
Finished book with perforation
+ rotation + folding in BPRFx

MIN 15 sheets (80 gsm or 20 lb)

MAX. CYCLES / HR

Up to 300 books

BDFx

PAPER HANDLING CAPABILITY

STOCK WEIGHTS

Coated/uncoated:
60 gsm to 200 gsm
or 16 lb to 90 lb

Cover:

80 gsm to 250 gsm
or 20 lb to 110 lb

PAPER SIZES

Saddle stitch:

203 x 134 mm to 520 x 356 mm
or 8" x 5 1/4" to 20 3/8" x 14"

Finished booklet in folder:

101 x 134 mm to 260 x 356 mm or
4" x 5 1/4" to 10" x 14"

MAXIMUM SET THICKNESS

SADDLE STITCH

22 sheets, 80 gsm or 20 lb.
or equivalent thickness,
including cover.

SIDE/TOP STITCH/CORNER STITCH:

55 sheets, 80 gsm or 20 lb.
or equivalent thickness,
including cover.

SETS PER HOUR

related to paper size and printer
speed rate.

Product validated by Xerox Finishing Lab
DTxx, DT61xx, Nuvera 120, 144
and iGen3.



c.p. bourg®

The Print Finishing Experts



Production rates subject to environmental conditions, operator ability and quality of stock.
As a consequence of our policy of continuous improvement, specifications are subject to change without notice.

9133606 Ind. May 2008

BELGIUM

C.P. Bourg S.A. N.V.
Group European Headquarters
22, rue des Technologies
B-1340 Ottignies
Belgium
Tel.: +32 10 62 22 11
Fax: +32 10 61 36 38
Export fax: +32 10 61 63 55
E-mail: contactus@cpbourg.com
export.be@cpbourg.com

FRANCE

C.P. Bourg S.A.
Parc d'Affaires Silic
32, rue des Gémeaux
BP 60410
F-94573 Rungis
France
Tel.: +33 1 46 87 32 14
Fax: +33 1 46 87 52 17
E-mail: cpbourg_france@cpbourg.com

USA

C.P. Bourg Inc
USA Headquarters
50 Samuel Barnet Blvd.
New Bedford, MA 02745
USA
Tel.: +1 508 998 2171
Fax: +1 508 998 2391
E-mail: cpbourgusa@cpbourg.com

GERMANY

C.P. Bourg GmbH
Schweizerstrasse 70/1
D-72336 Balingen
Germany
Tel.: +49 7433 9981 680
Fax: +49 7433 9981 686
E-mail: cpbourg_germany@cpbourg.com

LUXEMBOURG

Ets C.P. Bourg Luxembourg S.A.
14 rue Millewee, B.P. 85
L-7201 Walferdange
Luxembourg
Tel.: +352 33 24 47
Fax: +352 33 19 99
E-mail: cpbourgluxembourg@cpbourg.com



BOURG BOOK FACTORY

BOURG BOOK FACTORY

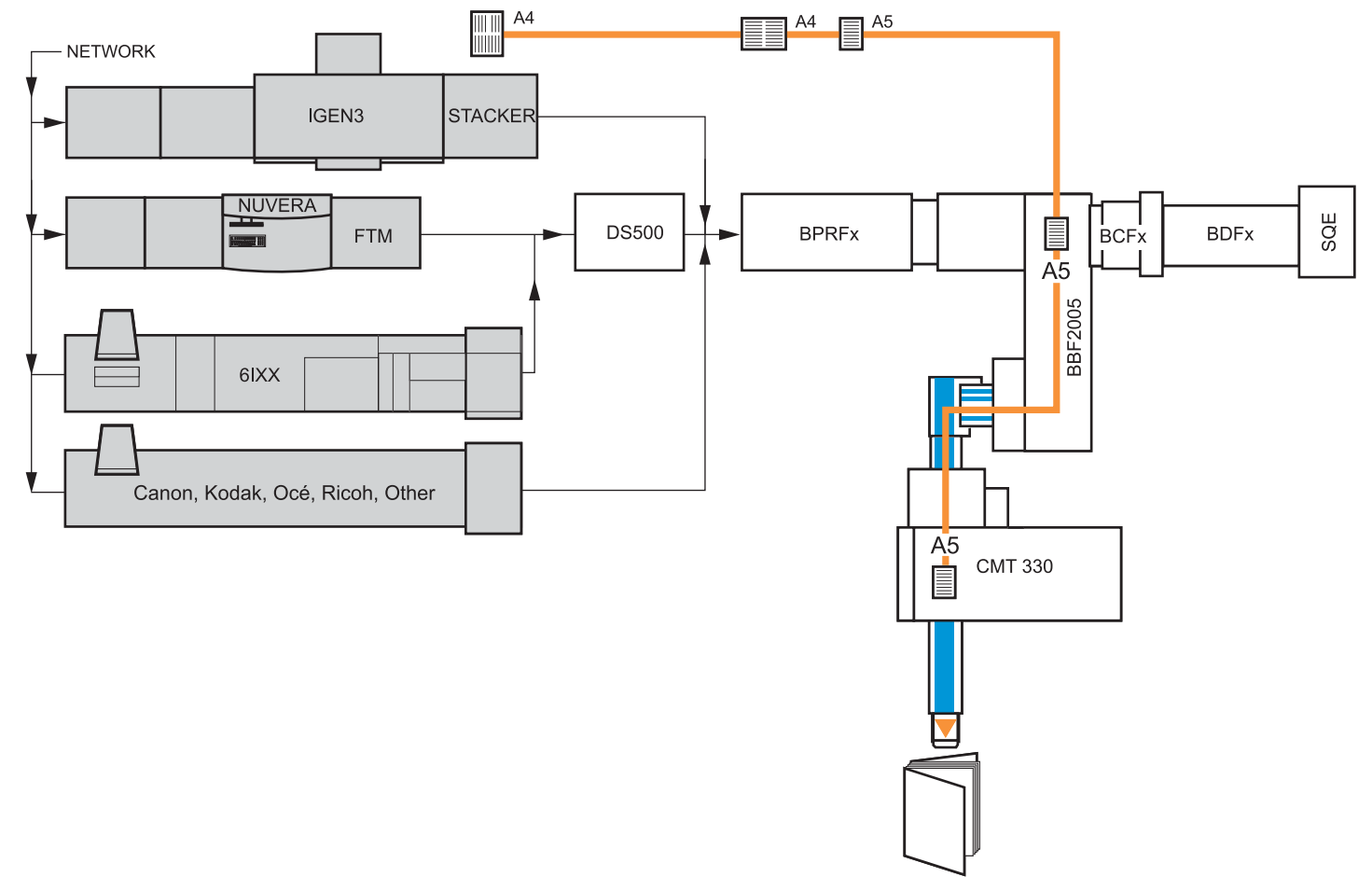
The digital **BOURG BOOK FACTORY** is a totally automated in-line booklet finishing system. The sheets are fed in-line into a high speed digital printer, then are transferred after printing into a choice of C.P. Bourg finishing devices.

The **BOURG BOOK FACTORY** enables the Xerox DocuTech to utilize the DS5000 - High Capacity Stacker - to stack up to 5000 sheets in straight or offset stacks. More stackers can be added, if needed. These A4 / 8.5" x 11" size sheets can then be sent into the **BOURG BPRFx** where they are transformed into signatures - A5 / 5.5" x 8.5" size - by a process of perforation, rotation and folding. They are then transferred to the **BOURG BBF2005** Binder which

binds these signatures into final perfect bound booklets which are finally three-side trimmed by **CMT330** for immediate delivery. The **BPRFx** can be by-passed for A4 (8.5" x 11") finished size booklets into the **BBF2005** binder.

For applications requiring commercial quality saddle-stitched documents, sheets can be by-passed in-line directly to the **BDFx** - Bourg Document Finisher. Optionally upgraded with a **BCFx** Cover Feeder.

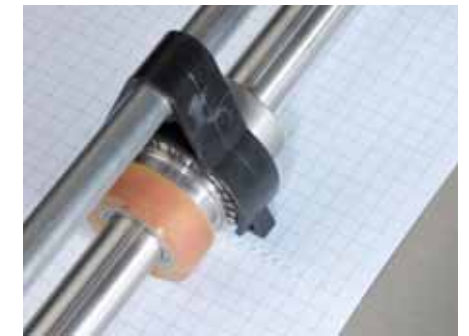
The **BOURG BOOK FACTORY** allows you to produce finished booklets easier, faster and more flexibly than ever before.



BPRFx



BPRFx perforation



BSR



CMT-330 three knife trimmer

